



WuCut - automatic cutting device



Preben Thomsen
Sales Manager

DK + 45 4031 2260
pt@designerspack.dk

WUWER Sp. z o.o.
Conveying and Automation
ul.Gen. Gallera 18a
41-709 Ruda Śląska, Poland
www.en.wuwer.pl



WuCut – automatic cutting device

This automatic device is designed to cut paper or any other material from a roll into sheets of a suitably programmed length. The machine pulls paper or other material from the attached roll and cuts off the desired length. Always only one sheet is ready to be picked up from the receiving table and placed between layers of palletized goods. This solution is perfect if you want to secure your products during transport process.

Although the construction of WuCut is standardised, we can tailor it to the needs of customers' technological lines. This automatic cutting device is ready for all signal exchange with other devices.

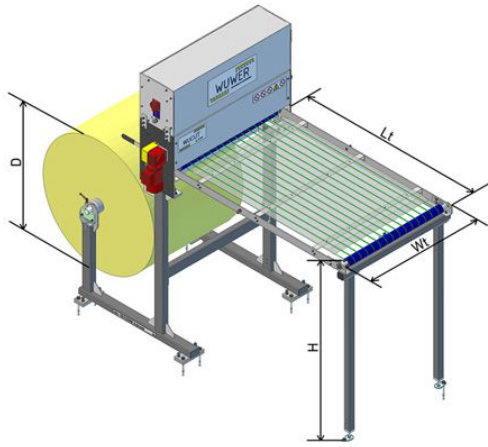
WuCut eliminates downtimes due to:

- integration with other devices in the process line
- quick setting of the desired paper length
- cutting all sizes from one roll
- elimination of accidentally dropped sheets
- replacement of paper roll with no break in operation
- long product life

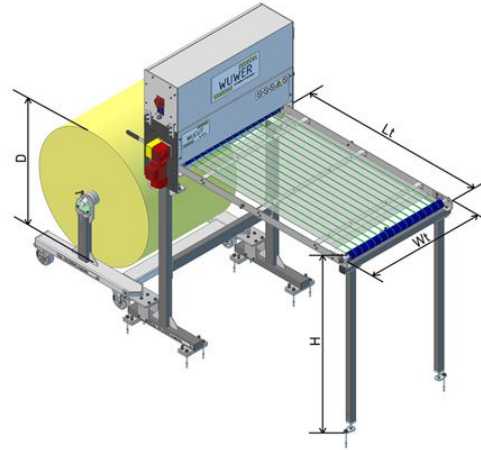
WuCut can cut all materials from a roll:

- paper
- cardboard
- PE material
- jute
- foil
- bubble wrap





WuCut with paper roll on a stand



WuCut with paper roll on a trolley

SPECIFICATION:

* The values refer to standard devices.
We carry out projects according to specific customer requirements.

Table length	Lt	1500 mm
Table height	H	1400 mm
Table width	Wt	962 mm / 1362 mm
Width of paper roll	Wt	800 mm / 1200 mm
Max. diameter of paper roll	D	1000 mm
Max. weight of paper roll	M	600 kg
Time of cutting cycle	t	7 sec

WHY TO CHOOSE WUCUT?

HIGH QUALITY

- SEW gearmotors and Siemens PLCs
- new blade drive – high-speed coarse thread screw,
- long-life sharpness of the blade

OPTIMISATION

- automation of packaging process
- increase of production flexibility
- minimalisation of the need to use spare parts

COST AND TIME SAVINGS

- quick setting of the desired paper length
- cheaper than buying already cut sheets
- saving the space for sheets storage

WuCut is produced by Wuger company, an international provider of internal transport systems for technological lines and packaging lines. Many years of experience and our established market position allow us to deliver top-quality solutions that maximise process efficiency.

